

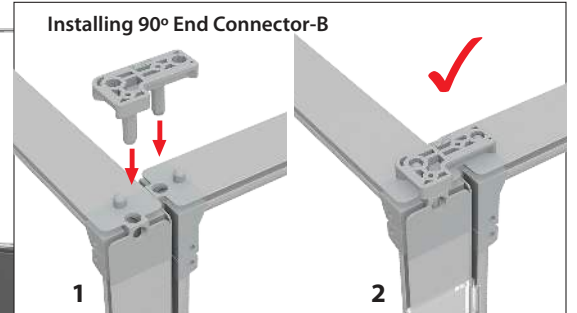
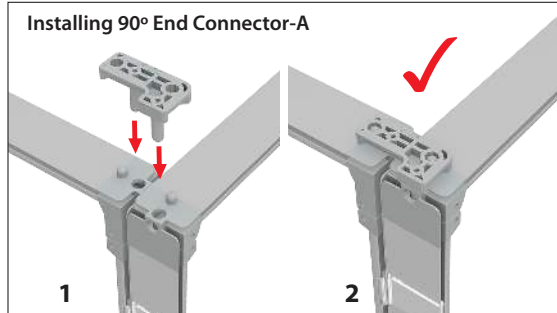
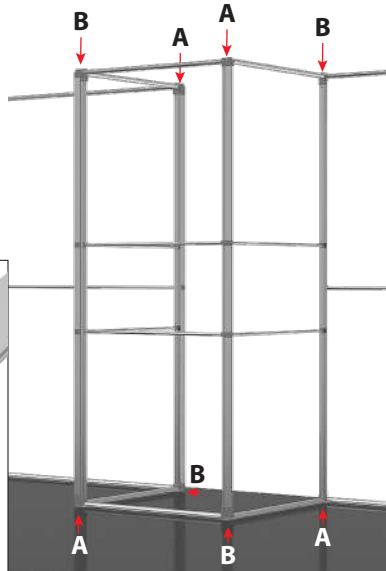
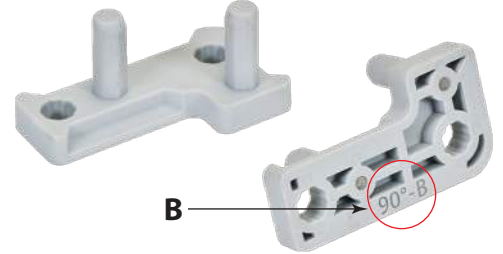
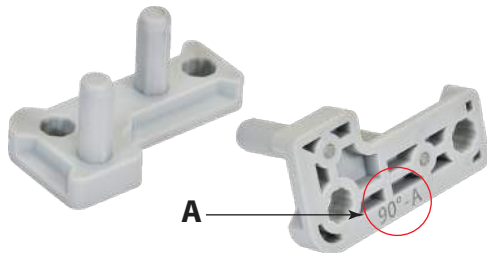
ULTRALITE SEG MODULAR - 90° CONNECTORS GUIDE

Ultra-90° End Connectors are identified by the imprint (A or B) on each connector

90° End Connector A:

Note: 90° End Connectors A & B are designed to connect on the Opposite Ends.

90° End Connector B:



90° Side Connector (Set of 2):

